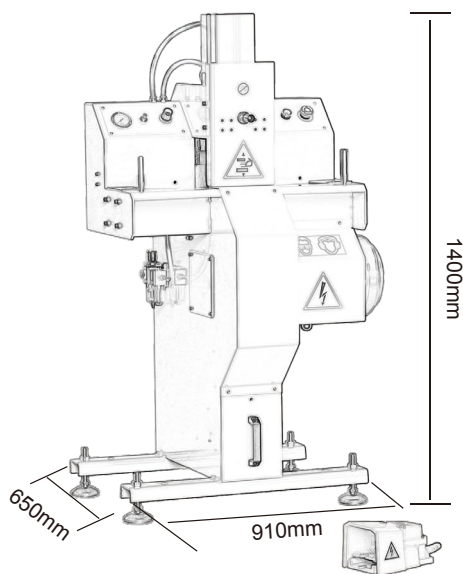




### Benefit:

Automatic Smooth Cutting  
 Cutting Speed Adjustable  
 Foot Pedal Control  
 2" 6 wire or 4" Industrail Hose



Main Specification	CM75
Hydraulic Hose	2 inch 6 wire
Industrial Hose	4"
Motor	5.5KW
Cutting	Pneumatic
Blade	520mm*4mm
Cutting Speed	Adjustable
Cutting Pressure	Adjustable
Foot Pedal	Included
Blade Toothed	Optional
Brake Motor	Optional
Servo controlled feeder	Optional
L*W*H mm	910*650*1400 mm
Weight KG	255