

CM51D-415V

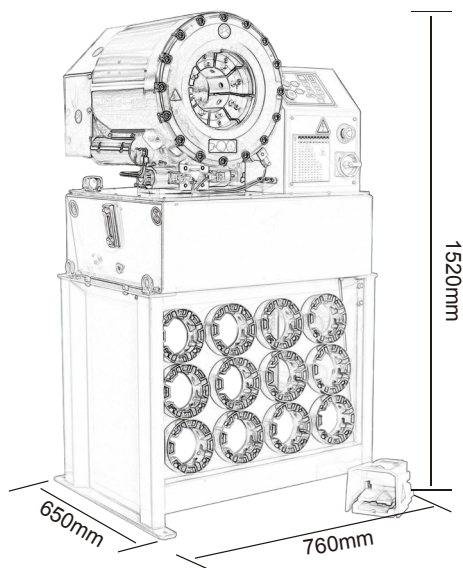
DIE SET TABLE CM51D-415V



Die #	Crimp.range	D	L
10*	10.0-12.0	10*	60
12*	12.0-14.0	12*	60
14	14.0-16.0	14	60
16	16.0-19.0	16	60
19	19.0-22.0	19	60
22	22.0-26.0	22	75
26	26.0-30.0	26	75
30	30.0-34.0	30	75
34	34.0-39.0	34	80
39	39.0-45.0	39	80
45	45.0-51.0	45	90
51	51.0-57.0	51	90
57	57.0-63.0	57	100
63	63.0-69.0	63	100
69	69.0-74.0	69	100
74*	74.0-78.0	74*	110
78*	78.0-84.0	78*	110

Benefit:

- Digital Precision Control
- Quick Change Tool and Die rack
- Energy Saving and Safety Operation
- TUV CE Approved



Main Specification	CM51D-415V
Max Hydraulic Hose	3" 4SP
Industrail Hose	4"
Crimping Range mm	4-140
Die Type	P32
Master Die Length mm	100
Max Opening mm	+40
Motor KW	4KW
Crimping Force KN	3800
Control	Digital Control
Foot pedal	Included
Die Rack	Included
Quick Change Tool	Included
Backstop Device	Optional
Control by Pressure	Optional
Noise Level dBA	65
Protection Class	IP56
L*W*H mm	760*650*1520
Weight KG	450