

CM32M-12V

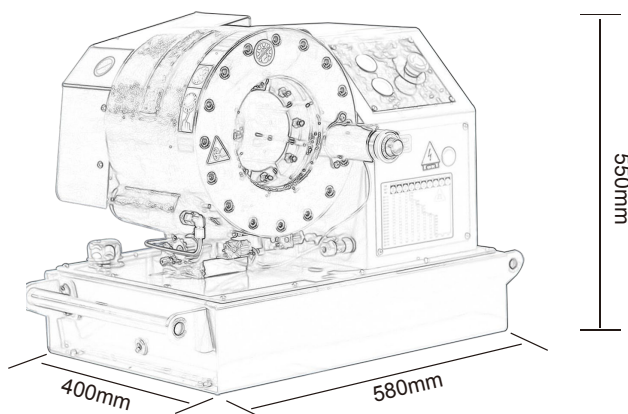
DIE SET TABLE CM32M-12V



Die #	Crimp.range	D	L
10*	10.0-12.0	10*	60
12*	12.0-14.0	12*	60
14	14.0-16.0	14	60
16	16.0-19.0	16	60
19	19.0-22.0	19	60
22	22.0-26.0	22	75
26	26.0-30.0	26	75
30	30.0-34.0	30	75
34	34.0-39.0	34	80
39	39.0-45.0	39	80
45	45.0-51.0	45	90
51	51.0-57.0	51	90
57	57.0-63.0	57	100
63	63.0-69.0	63	100
69	69.0-74.0	69	100
74*	74.0-78.0	74*	110
78*	78.0-84.0	78*	110

Benefit:

2" 4SP Hydraulic Hose
 Compact & Robust Design
 Optional Quick Change Tool & Die Rack
 TUV CE Approved



Main Specification	CM32M-12V
Max Hydraulic Hose	2" 4SP
Crimping Range mm	4-87
Die Type	P32
Master Die Length mm	80
Max Opening mm	+32
Motor KW	3KW 12V DC
Crimping Force KN	2200
Control	Micro Control
Foot pedal	Optional
Die Rack	Optional
Quick Change Tool	Optional
Backstop Device	Optional
Control by Pressure	Optional
Noise Level dBA	65
Protection Class	IP56
L*W*H mm	580*400*550
Weight KG	220