

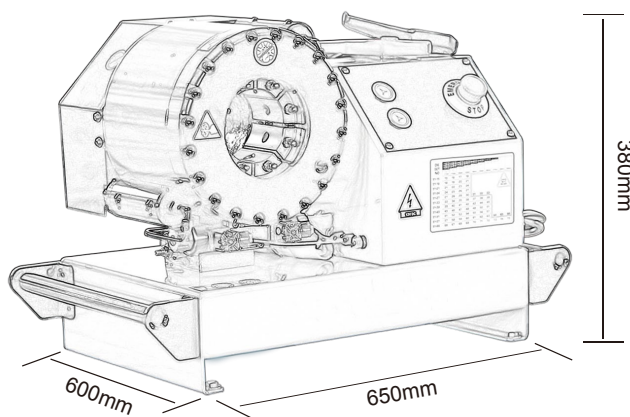
## DIE SET TABLE CM20M-24V



Die #	Crimp.range	D	L
10*	10.0-12.0	10*	55
12*	12.0-14.0	12*	55
14	14.0-16.0	14	55
16	16.0-19.0	16	55
19	19.0-22.0	19	55
22	22.0-26.0	22	55
26	26.0-30.0	26	75
30	30.0-34.0	30	75
34	34.0-39.0	34	90
39	39.0-45.0	39	90
45	45.0-51.0	45	90
51*	51.0-57.0	51*	90
57*	57.0-63.0	57*	90

### Benefit:

Compact Design for use in a Van or Truck  
 24V DC by Battery Power  
 Up to 1 1/4" 4SP hydraulic hose



Main Specification	CM20M-24V
	24V DC For Mobile Van or Truck
Max Hydraulic Hose	1 1/4"
Crimping Range mm	4-65
Die Type	P20
Master Die Length mm	80
Max Opening mm	+24
Motor KW	2.2 KW 24V DC
Crimping Force KN	2200
Control	Electrical Control
Foot pedal	Optional
Die Rack	Optional
Quick Change Tool	Optional
Backstop Device	Optional
Noise Level dBA	65
Protection Class	IP56
L*W*H mm	650*600*380
Weight KG	145