

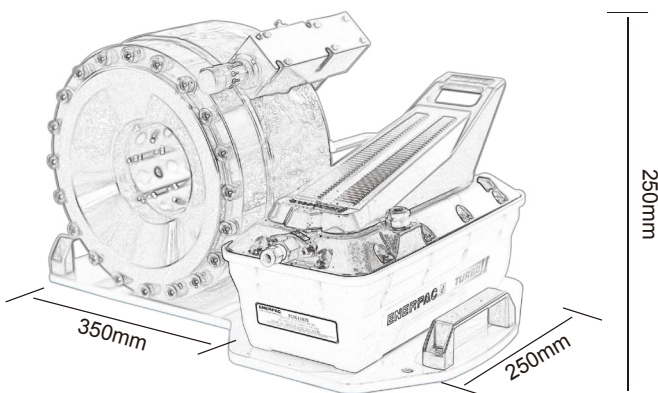
DIE SET TABLE CM20AHP-MT

Die #	Crimp.range	D	L
10*	10.0-12.0	10*	55
12*	12.0-14.0	12*	55
14	14.0-16.0	14	55
16	16.0-19.0	16	55
19	19.0-22.0	19	55
22	22.0-26.0	22	55
26	26.0-30.0	26	75
30	30.0-34.0	30	75
34	34.0-39.0	34	90
39	39.0-45.0	39	90
45	45.0-51.0	45	90
51*	51.0-57.0	51*	90
57*	57.0-63.0	57*	90



Benefit:

Portable 1 1/4" Crimper
 No Power Needed
 Optional Hand Pump
 9 Die Sets Standard



Main Specification	CM20AHP-MT
Max Hydraulic Hose	1 1/4" 4SP
Crimping Range mm	4-75
Die Type	P20
Master Die Length mm	80
Max Opening mm	+25
Hand Pump	Enerpac two stage Pneumatic pump 700 bar
Crimping Force KN	1400
Control	Micro Dail
L*W*H mm	350*250*250
Weight KG	45