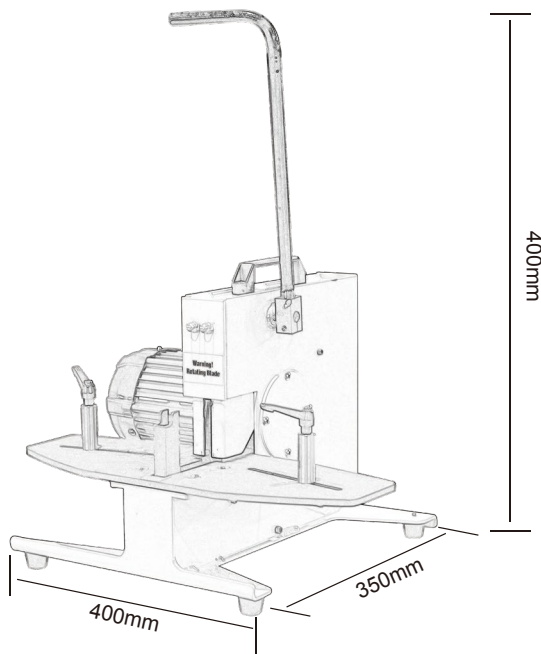




Benefit:

Designed for Truck or Van use.
 Up to 1 1/2" 4SP Hydraulic Hose
 Continuous cutting up to 30 minutes
 Light weight and compact design
 Pull to cut



Main Specification	C250-24V
Maximum Cutting	1 1/2" 4SP Hydraulic Hose
Motor	1.5KW 24V DC
Cutting	Pull to cut
Blade	250*40*3mm
Blade Toothed	Optional
Brake Motor	N/A
Continuous Cutting	Yes
L*W*H mm	400*350*400
Weight KG	35